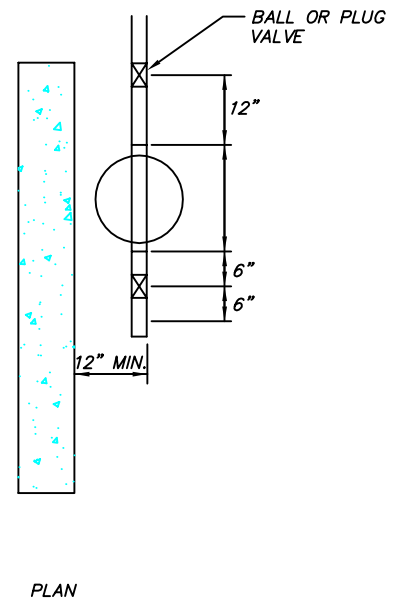
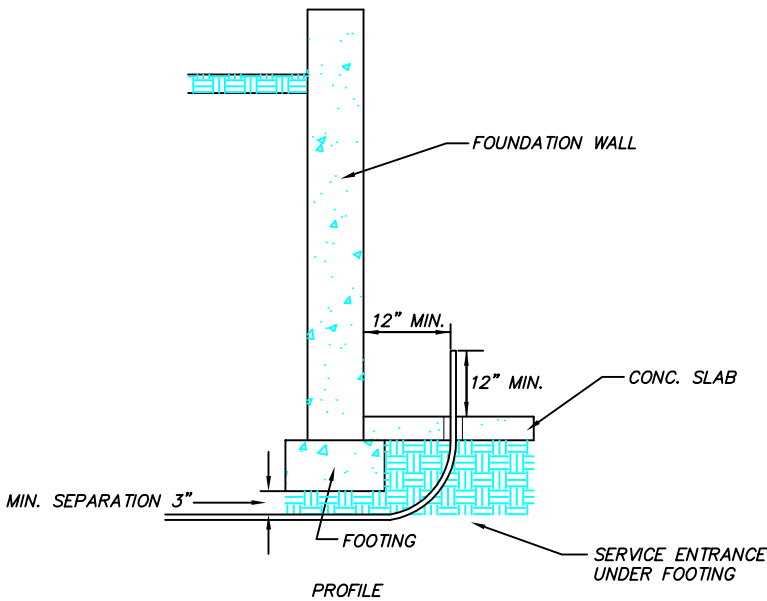


THROUGH WALL

NOTES:

- 1.) CITY WILL SET METER ON OWNER'S PLUMBING.
- 2.) OWNER TO FURNISH (2) PLUG OR BALL VALVES WITH 1/4 TURN TO OPEN OR CLOSE.
- 3.) INSTALL METER HORIZONTALLY TO BE READ FROM TOP.
- 4.) WATER (SPRINKLER) METER DOES NOT RECEIVE BILL FOR FIRST QUARTER (JAN, FEB, MAR). DOES RECEIVE BILL FOR REMAINDER MONTHS EVEN IF THERE IS NO USAGE.
- 5.) $\frac{5}{8}$ " x $\frac{3}{4}$ " WATER (SPRINKLER) METER COSTS—CALL FOR PRICING.



THROUGH FLOOR

METER SETTING DETAILS FOR $\frac{5}{8}$ " X $\frac{3}{4}$ " AND 1"
NO SCALE